

The SOB SENTRY™ is a mobile defense system fixed in the upright position, designed for environments where there is no need to collapse the unit for transport or storage. It can be effortlessly moved into position by a single operator. It is also freestanding, so once in position it does not burden the hands of the operator.

This model is available in two configurations, the SENTRY™ and the SENTRY DOUBLE™. The SENTRY™ is designed to pass straight through a standard 3 foot door. The SENTRY DOUBLE™ is designed to pass through a standard 3 foot door from end to end. The viewport can be removed and stowed on the chassis for storage and transport.

The SOB SENTRY™ is designed to stow an optional redundant NIJ Level III-A hand-carry shield or a TAC-WALL™ shield (two in the SENTRY DOUBLE™) on the back of the unit that can be quickly deployed for independent use.

Common applications for the SENTRY™ include security checkpoints, industrial security applications, courthouses, government buildings, and for security in larger facilities where storage space is abundant. It is used for a variety of applications including barricaded gunman situations, hostage negotiation and rescue operations, VIP relocation, first response to active shooters, and rescue operations.

Ballistic Options (NIJ 0108.01 Standard)

Level 3-A (Removable Shield Only) (44 Magnum SWC 240 gr, 9mm FMJ 124 gr)

Level 3-Plus (7.62x39mm MSC 123 gr, 5.56x45mm M855 62 gr)

Level 4 (.30 CAL AP M2 7.62x63mm 166 gr)

Total Armor Area

SENTRY: 13.5 Sq Ft

SENTRY DOUBLE: 27 Sq Ft

Dimensions

SENTRY: 33" W x 41" D x 75" H

SENTRY DOUBLE: 64" W x 41" D x 75" H

Removable 3-A Shield: 22" W x 48" H

Wheel Diameter: 10"

Weight

| | Level 3-Plus | Level 4 |
|-----------------------|------------------|------------------|
| SENTRY: | 252 lbs (114 kg) | 366 lbs (166 kg) |
| SENTRY DOUBLE: | 420 lbs (191 kg) | 670 lbs (304 kg) |
| Removable 3-A Shield: | 45 lbs (21 kg) | |

Optional Features

Removable 3-A Shield with Tri-Grip Handle

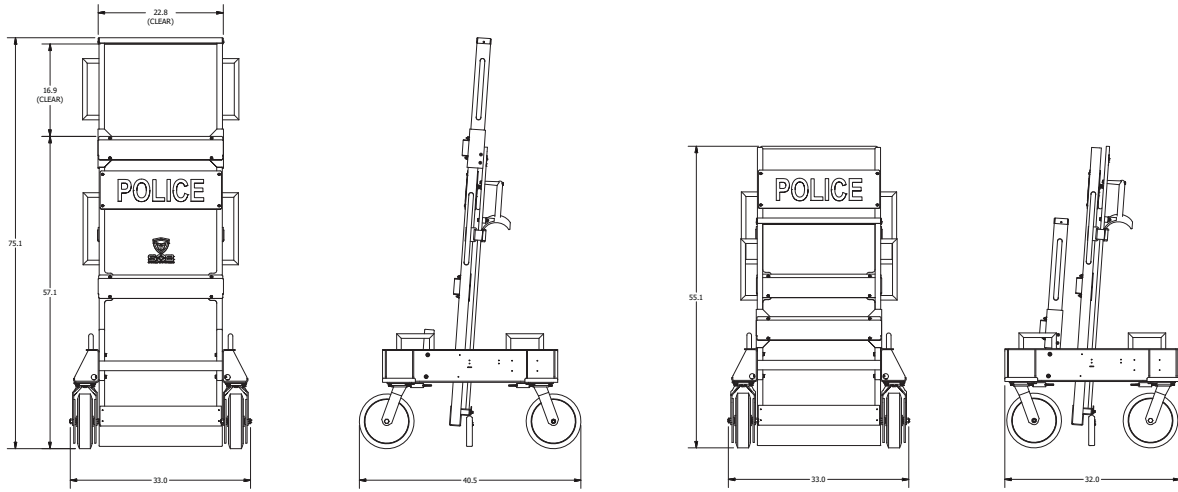
Foxfury Taker B50 Shield Light

Gun Port

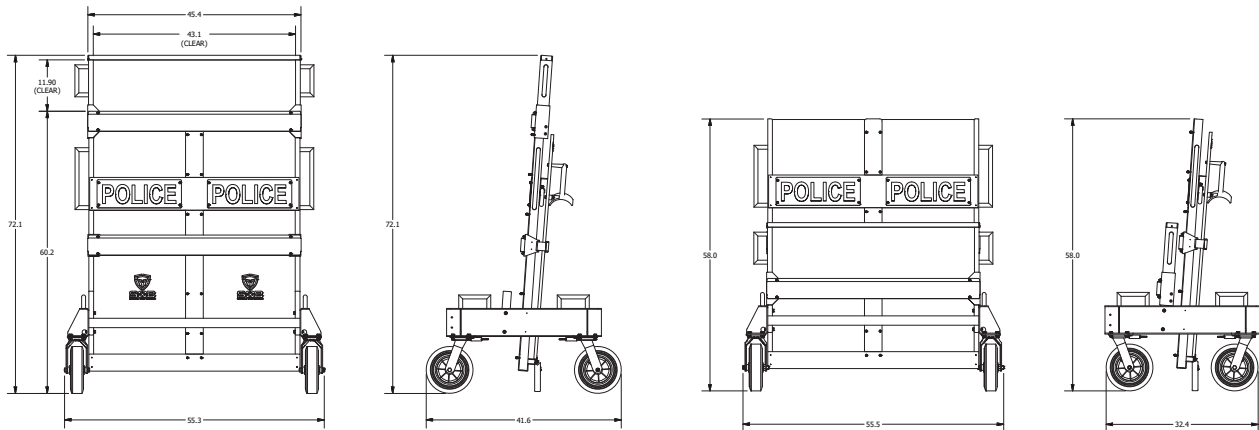
Includes magnetic signage, text is "POLICE" unless otherwise specified when ordering

Finish: Black Powdercoat, shown here in optional Battleship Grey





SOB SENTRY



SOB SENTRY DOUBLE

| PART NUMBER | DESCRIPTION |
|---------------|--|
| SOBSENT1-3P | SOB SENTRY Mobile Defense System (NIJ Level 3-Plus) |
| SOBSENT1-4 | SOB SENTRY Mobile Defense System (NIJ Level 4) |
| SOBSENT1D-3P | SOB SENTRY DOUBLE Mobile Defense System (NIJ Level 3-Plus) |
| SOBSENT1D-4 | SOB SENTRY DOUBLE Mobile Defense System (NIJ Level 4) |
| SOBSENT-TG-3A | Hand-Carry Shield with Tri-Grip handle for SOB SENTRY and SOB SENTRY DOUBLE (NIJ Level 3-A) |
| SOB-MS | Universal Magnetic Signage for SOB, SOB II, SOB M1, SENTRY, SENTRY DOUBLE (Text "POLICE" unless otherwise specified) |
| SOB-GP | Universal Gun Port for SOB Defense Systems (ballistic rating equal to surrounding armor) |
| SOB-FFB50 | Foxfury Taker B50 Shield Light |
| SOB-RAMP | SOB Curb Ramp |
| SOB-WLOCK | SOB Wheel Lock Kit |
| SOB1-DBRK | Disc brake kit (SOB, SENTRY) |

SHIPPING DIMENSIONS

SOB SENTRY
 40 x 40 x 64 in (102 x 102 x 163 cm)
 3-Plus: 342 lbs (155 kg) 4: 456 lbs (207 kg)

SOB SENTRY DOUBLE
 64 x 40 x 68 in (163 x 102 x 173 cm)
 3-Plus: 605 lbs (275 kg) 4: 855 lbs (388 kg)

